

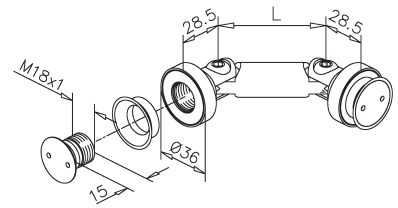
### Connector with sunken cap - 780



adjustable, glass/glass

Stainless steel design

Art.no.	L	glass	
44.0780.060.12	60 mm	10 - 12 mm	1
44.0780.082.12	82 mm	10 - 12 mm	1




### Connector - 781

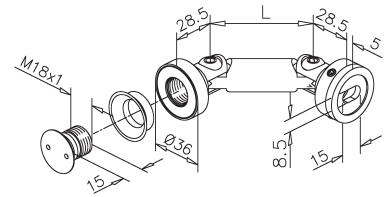
3



adjustable, glass/wall

Stainless steel design

Art.no.	L	glass	
44.0781.060.12	60 mm	10 - 12 mm	1
44.0781.082.12	82 mm	10 - 12 mm	1



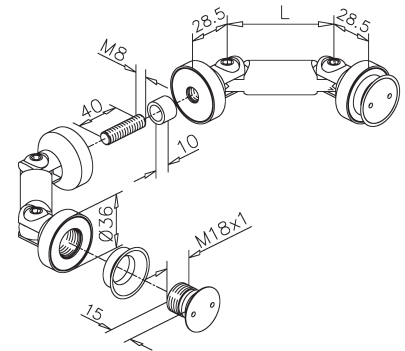
### Connector set - 782



adjustable, glass/glass/glass

Stainless steel design

Art.no.	L	glass	
44.0782.060.12	60 mm	10 - 12 mm	1
44.0782.082.12	82 mm	10 - 12 mm	1



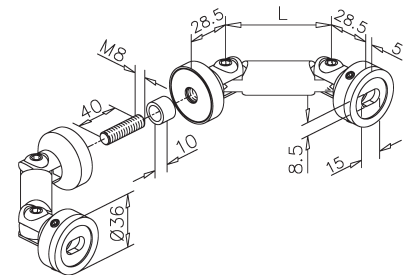
### Connector set - 783



adjustable, wall/glass/wall

Stainless steel design

Art.no.	L	glass	
44.0783.060.12	60 mm	10 - 12 mm	1
44.0783.082.12	82 mm	10 - 12 mm	1



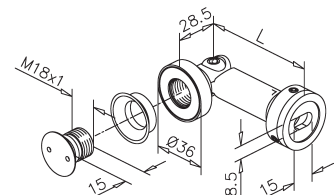
### Connector - 784



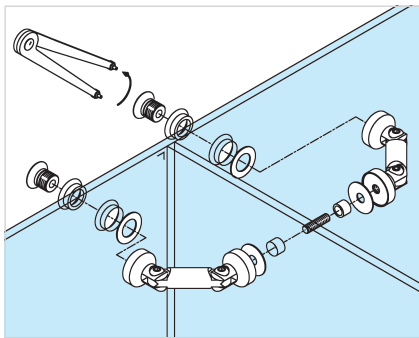
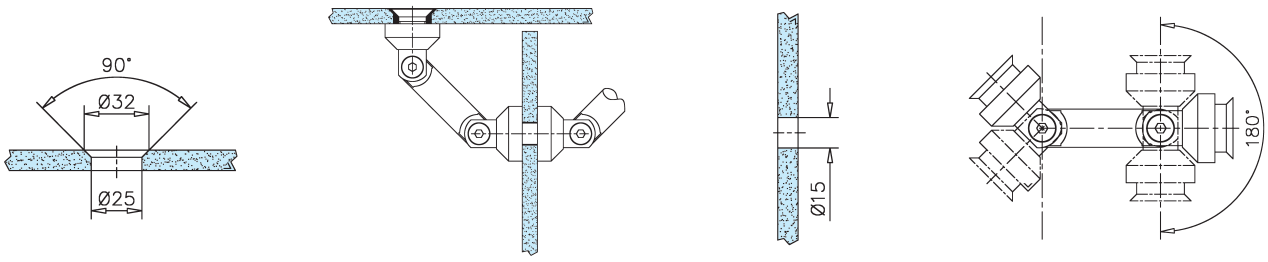
adjustable, glass/wall

Stainless steel design

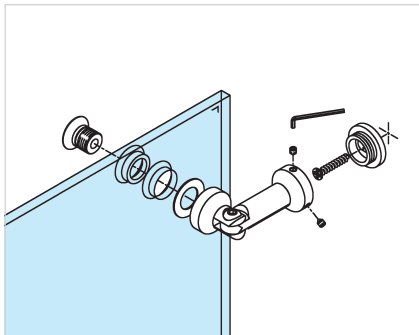
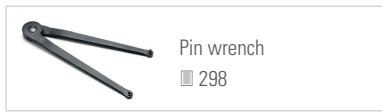
Art.no.	L	glass	
44.0784.075.12	75 mm	10 - 12 mm	1



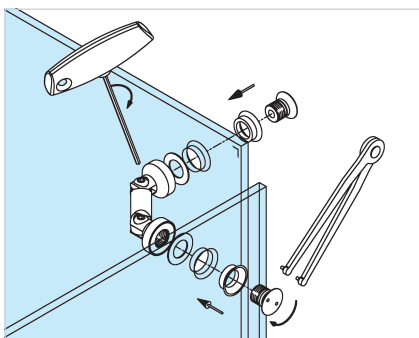
INFO Connectors



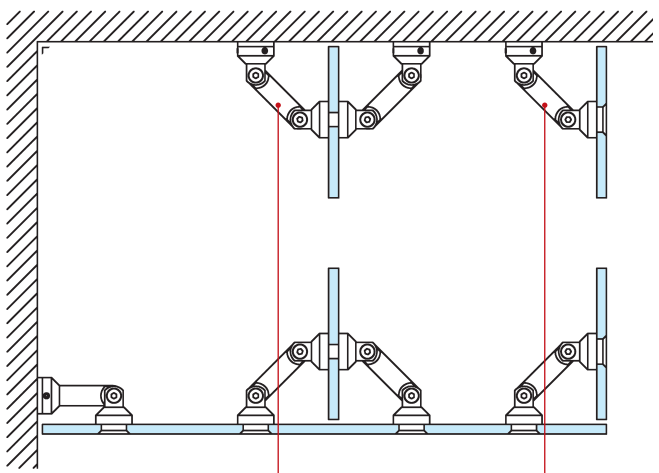
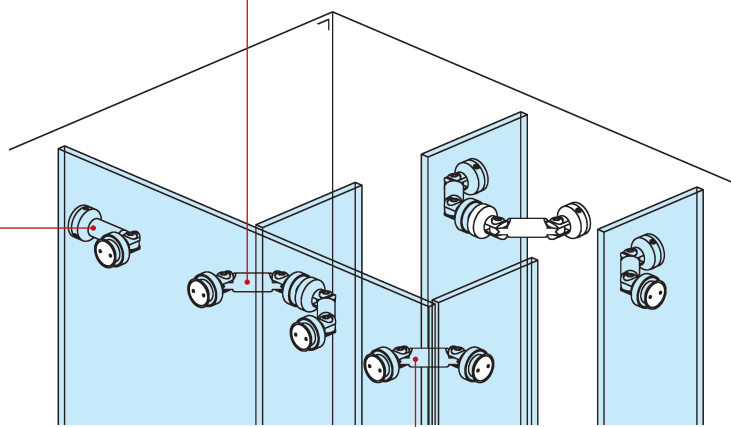
44.0782...



44.0784.075.12



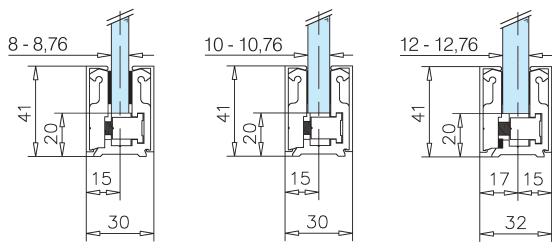
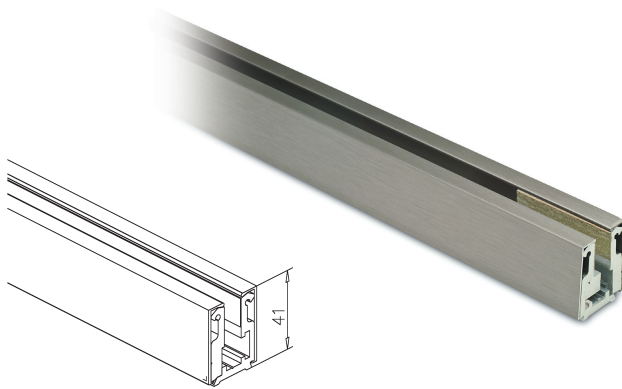
44.0780...



44.0783...

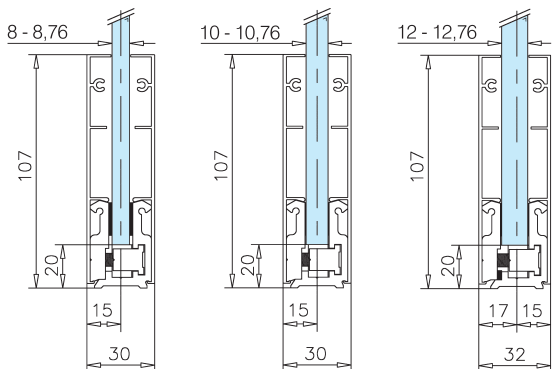
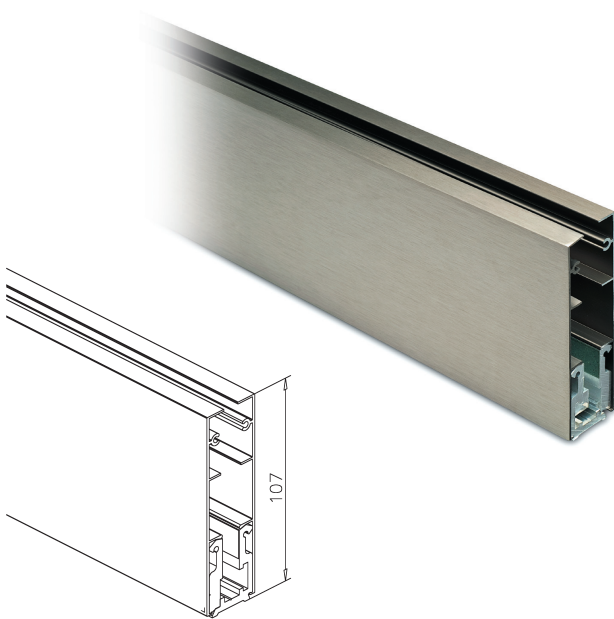
44.0781...

## Glass plate profile - 4200



glass	L	Aluminium stainless steel effect Art.no.	Aluminium silver matt anodized Art.no.
8 - 8,76 mm	5000 mm	40.4208.500.19	40.4208.500.46
8 - 8,76 mm	2500 mm	40.4208.250.19	40.4208.250.46
8 - 8,76 mm	cutted	40.4208.000.19	40.4208.000.46
10 - 10,76 mm	5000 mm	40.4210.500.19	40.4210.500.46
10 - 10,76 mm	2500 mm	40.4210.250.19	40.4210.250.46
10 - 10,76 mm	cutted	40.4210.000.19	40.4210.000.46
12 - 12,76 mm	5000 mm	40.4212.500.19	40.4212.500.46
12 - 12,76 mm	2500 mm	40.4212.250.19	40.4212.250.46
12 - 12,76 mm	cutted	40.4212.000.19	40.4212.000.46

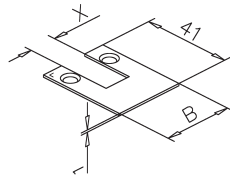
## Glass plate profile - 4300



glass	L	Aluminium stainless steel effect Art.no.	Aluminium silver matt anodized Art.no.
8 - 8,76 mm	5000 mm	40.4308.500.19	40.4308.500.46
8 - 8,76 mm	2500 mm	40.4308.250.19	40.4308.250.46
8 - 8,76 mm	cutted	40.4308.000.19	40.4308.000.46
10 - 10,76 mm	5000 mm	40.4310.500.19	40.4310.500.46
10 - 10,76 mm	2500 mm	40.4310.250.19	40.4310.250.46
10 - 10,76 mm	cutted	40.4310.000.19	40.4310.000.46
12 - 12,76 mm	5000 mm	40.4312.500.19	40.4312.500.46
12 - 12,76 mm	2500 mm	40.4312.250.19	40.4312.250.46
12 - 12,76 mm	cutted	40.4312.000.19	40.4312.000.46

## End caps - 4200 (pair)

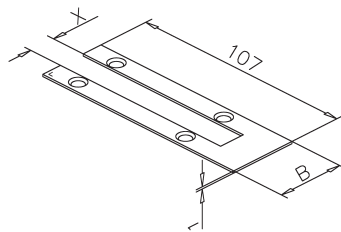
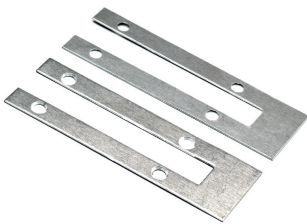
for art.no. 40.42 ... (H 41 mm)



glass (X)	B	Aluminium stainless steel effect	Aluminium silver matt anodized
		Art.no.	Art.no.
8 - 10,76 mm	30 mm	40.4200.010.19	40.4200.010.46
12 - 12,76 mm	32 mm	40.4200.012.19	40.4200.012.46

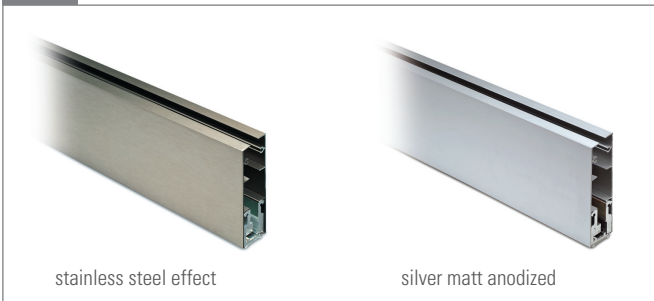
## End caps - 4300 (pair)

for art.no. 40.43 ... (H 107 mm)



glass (X)	B	Aluminium stainless steel effect	Aluminium silver matt anodized
		Art.no.	Art.no.
8 - 10,76 mm	30 mm	40.4300.010.19	40.4300.010.46
12 - 12,76 mm	32 mm	40.4300.012.19	40.4300.012.46

### INFO Finishes



### INFO Glass plate profile

